



得豐實業有限公司

Dfwisdom Industrial CO., LTD

TCF 型荷重元 Chuck Clamping Force Measuring Device

TCF 車床夾頭夾持力無線量測裝置，本量測裝置係結合本公司力量感測器、微型信號處理技術及無線信號傳輸技術而成之高精度夾頭夾緊力測試裝置，使用應變規為感測元件，變形量小精度高。一體式的設計，簡潔美觀，使用藍芽無線信號傳輸技術，免除拉線的煩惱；以手機為顯示器，讀值清楚且攜帶方便，特別設計的省電線路及自動斷電功能，增長電池使用壽命。

TCF The measurement device is a combination of the company's load cell, micro-signal processing and wireless signal transmission technology made of this high-precision chuck clamping force testing device. It use strain gauge for the sensing element, small deformation and high precision. Integrated design, compact and beautiful. Bluetooth wireless signal transmission technology, eliminating the trouble of cable. With the APP, mobile phone can access the measurement result, provide clear display, and easy to carry. Specially designed automatic power off function, increase The battery life.

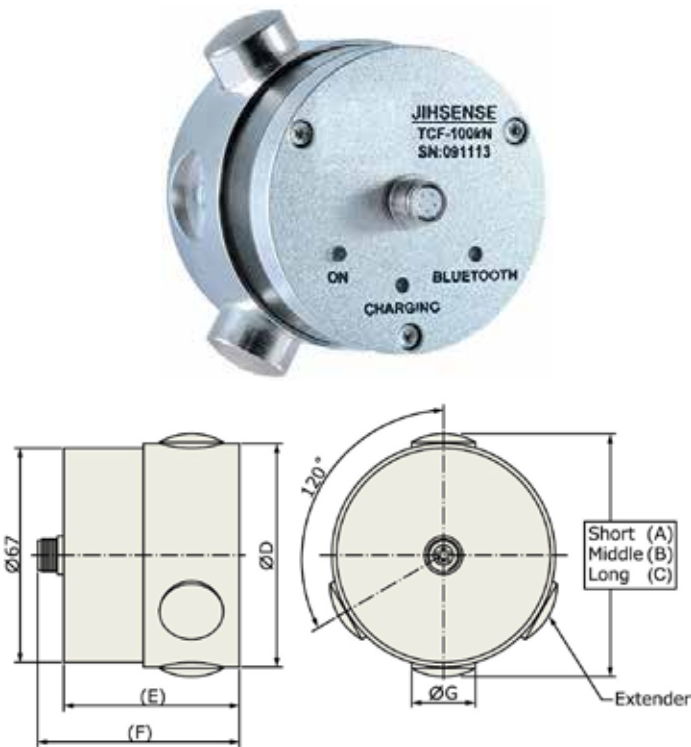
● 特點 Features

一體設計密封保護 Compact design, Seal protection

無線傳輸，適合旋轉中量測 Wireless transmission suitable for rotating measurement

配合手機系統(安卓) Mobile phone system (Android)

● 安裝尺寸 Installation Dimensions



TYPE	A	B	C	D	E	F	G
TCF - 25 KN	35	45	55	30	64	72	10
TCF - 100 KN	76	90	110	70	55	63.5	20

● 規格 Specification

量測範圍(單爪) Measurement range(single claw)	TCF-100 : 5-100 kN / TCF-25 : 1-25 kN
最高轉速 (rpm) Maximum speed (rpm)	TCF-100 : 6000 / TCF-25 : 8000
解析度 Resolution	0.01 kN
最小直徑 (mm) Minimum diameter (mm)	TCF-100 : $\Phi 74$ / TCF-25 : $\Phi 34$
準確度 Accuracy	$\pm 2\%$ R.O.
電池續航力 Battery life	4 hour
藍芽傳輸距離 Bluetooth transmission distance	10m (無障礙)
配合手機系統 With mobile phone system	安卓 Android