



得豐實業有限公司

Dfwisdom Industrial CO., LTD

TO 型軸端張力測壓器 Shaft end load cell

本型TO張力側壓器，採用高敏感梁式感應結構及軸端之安裝方式，使安裝更為容易並使力量感應達到最高之精度與敏感度特別適用於自動化機械之張力量測與控制上，具以下特點：

This shaft - end tension load cell is made of high sensitivity beam structure as sensing element and use tool material to increase overload capacity. It mounting is easy installation. Thus , it is accurate and durable for using to tension force measurement and control process.



● 特點 Features

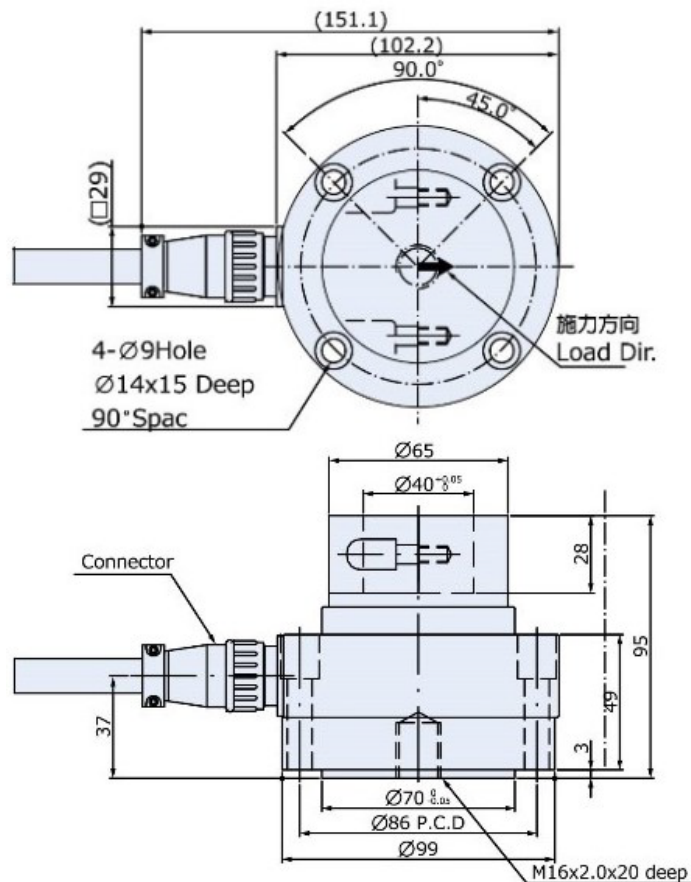
合金鋼本體 Tool steel material 高精度 High accuracy

安裝容易 Easy installation

TO - 100 N(10.20 kgf) , 250 N(25.49 kgf) , 500 N(50.99 kgf)

1 kN(102.0 kgf) , 2 kN(203.9 kgf) , 3.5 kN(356.9 kgf) , 5 kN(509.9 kgf)

● 安裝尺寸 Installation Dimensions



● 規格 Specification

額定輸出 Rated Output	1.0mV / V
總和誤差 Total Error	±0.05%R.O.
重現性 Repeatability	±0.03%R.O.
潛變 Creep	0.05% / 20min
輸入阻抗 Input Resistance	430 or 405 ± 25 Ω
輸出阻抗 Output Resistance	350 ± 10 Ω
最大輸入電源 Max. Excitation Voltage	20V
建議輸入電源 Recommended Excitation Voltage	10V
溫度補償範圍 Compensated Temp. Range	-10°C ~ 50°C
使用範圍 Safe Temp. Range	-20°C ~ 70°C
溫度對零點之影響 Temp. Effect on Zero Balance	0.05%R.O. / 10°C
溫度對額定輸出之影響 Temp. Effect on Rated Output	0.03% Load / 10°C
零點誤差 Zero Balance	±3%R.O.
容許負荷 Safe Over Load Rating	150%
導線長度 Cable Length	3m
接線方式 Cable Connection	Input : Red (+) Exci : Black (-) Exci Output : Green (+) Sign White (-) Sign